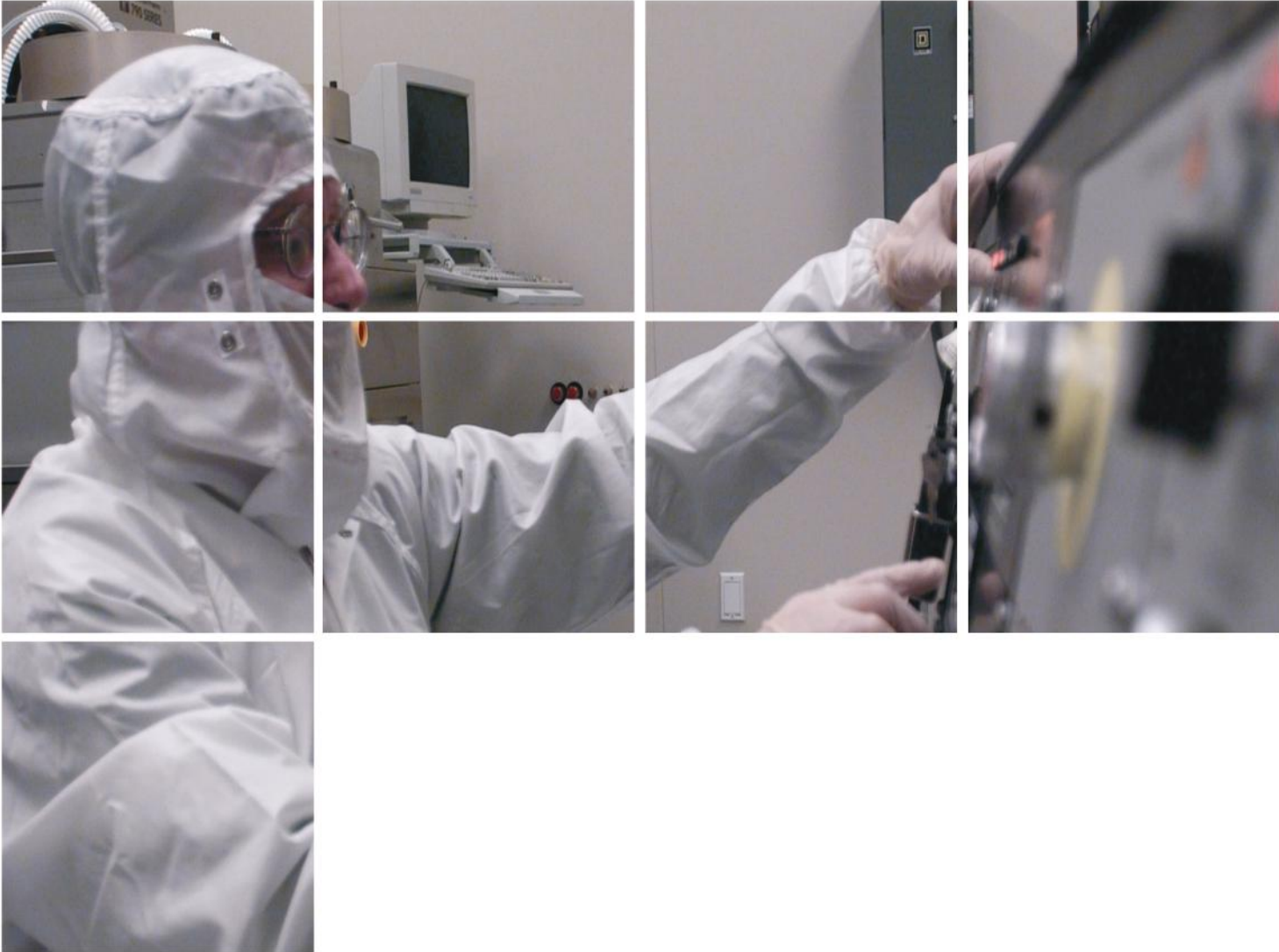
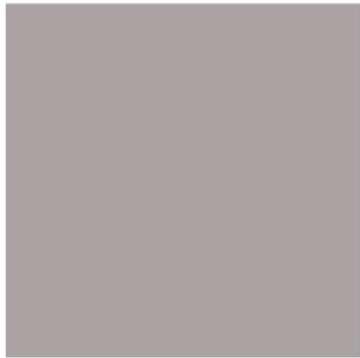


Cleanroom Systems

INNOVATE.DESIGN.MANUFACTURE



BASX
SOLUTIONS

Cleanroom Systems

INNOVATE.DESIGN.MANUFACTURE

With over 25+ years in custom cleanroom design and manufacturing for some of the biggest names in the bio-pharmaceutical, semiconductor and medical device companies in the world, BasX Solutions has the experience you can count on to deliver cost-effective solutions that are energy efficient and maximize cleanroom effectiveness.

BasX Solutions offers a wide range of custom designed solutions that meet your requirements for cleanroom environment specifications, from Grade A and B to Class 1 to 100,000.

- Make Up Air Handlers
- Recirculation Air Handlers
- Fan Filter Units
- Fan Powered Plenums
- Plenum Modules
- Flush Grid with Integral Lighting



Air Handler Units

INNOVATE.DESIGN.MANUFACTURE

Whether your needs cover semiconductor or Life Sciences mission critical applications, BasX Make Up Air Handlers, Recirculation Units and Fan Filter Units are custom designed and manufactured to withstand the harsh chemicals in your demanding environments.



Make Up Air and Recirculation Air Handler Construction Features

- Indoor or outdoor cabinet construction
- Modular construction
- All welded, heavy-duty structural channel iron frame with lifting brackets
- Steel, aluminum or stainless steel cabinet
- Smooth interior or exterior
- Anti-microbial/anti-corrosive construction
- Foam panel, hybrid foam panel and fiberglass insulation
- Anti-skid and diamond-plate floors
- Powder coat finish to your specification for all cabinets, roof, base, and interior partitions and doors
- Thermal break technology
- Standard and severe duty components
- Optional fan types, styles, and discharge arrangements
- Variable Frequency Drives (VFDs)
- Energy recovery ventilation: wheels, plate, and heat pipe technology
- Chilled water, DX and direct or indirect evaporative cooling options
- Hot water, steam, direct or indirect gas, and electric resistance heating options
- Pre-filters, high efficiency, HEPA/ULPA, odor control media filter options
- Air monitoring devices

- UV lights
- Service vestibules
- Dampers, louvers, and hoods
- Air blenders
- Humidifiers



Fan Filter Units are typically used in place of conventional recirculating air units due to height restrictions and are often installed in a ceiling grid system or suspended from a support structure. Recirculated air is purified through a prefilter installed on the top and blown through a HEPA or ULPA filter into a cleanroom.

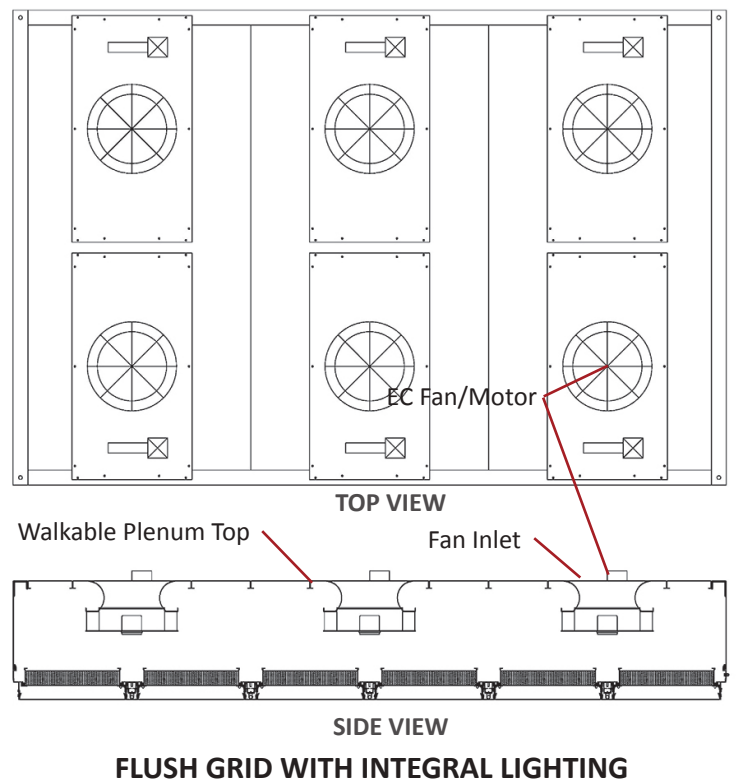
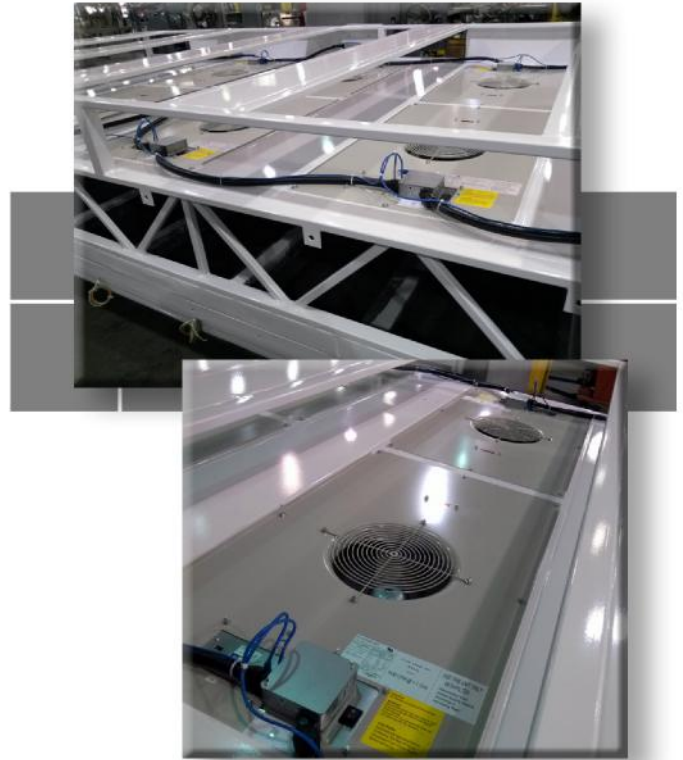
BASX
SOLUTIONS

Fan Powered Plenums

INNOVATE.DESIGN.MANUFACTURE

Fan Powered Plenums are an ideal solution for cleanspace areas that have confined ceiling spaces or have no available ducting to a remote fan or air handler.

- Provides Great Redundancy in the System
- Available with Complete Control System. Control from a PC with Interface to Building Management System
- Available with Handheld Controller to Individually Set and Control Fan/Motor Speed
- Fan Commander 200 - Control Up to 200 Fan/Motor Assemblies



Plenum Modules

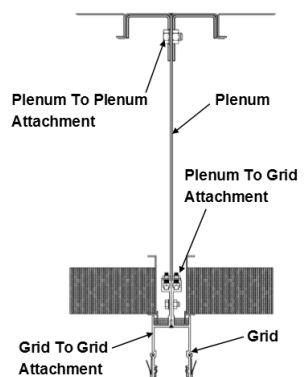
INNOVATE.DESIGN.MANUFACTURE

Plenum modules eliminate the need for field built ducts and duct collars while reducing overall pressure drop. Plenum modules have the same benefits as flush ceiling grid, including integrated lighting and fire protection, as well as excellent performance.

Able to withstand high point loads with minimum deflection, BasX plenums are able to support recirculation air handlers, live loads and other accessories. Maintenance access to fan modules is made easy via walkable top skins. Multiple plenums may be tied into one fan module when side wall openings are used.



- Provides Direct Support for Recirculation Air Handlers
- Plenum Module Eliminates the Need for Field Built Plenums
- Shared Air Openings to Adjacent Plenums
- Plenum Modules are Suspended from Structure or Custom Floor Mounted Support Structure can be Provided
- Plenum Modules are Available in Sizes Up To 8' x 24'



BASX
SOLUTIONS

FLush HEPA Grid with Integral Lighting

INNOVATE.DESIGN.MANUFACTURE

BasX Flush Grid Ceiling System with Integral Lighting provides excellent flexibility in cleanroom design solutions. Wall location isn't determined by tear-drop lights, they can go anywhere, below lights, filters, and grid.

Each module is fabricated at the factory, complete with fire protection and lights. Installation time, manpower, and cost are reduced compared to a traditional stick-built system.

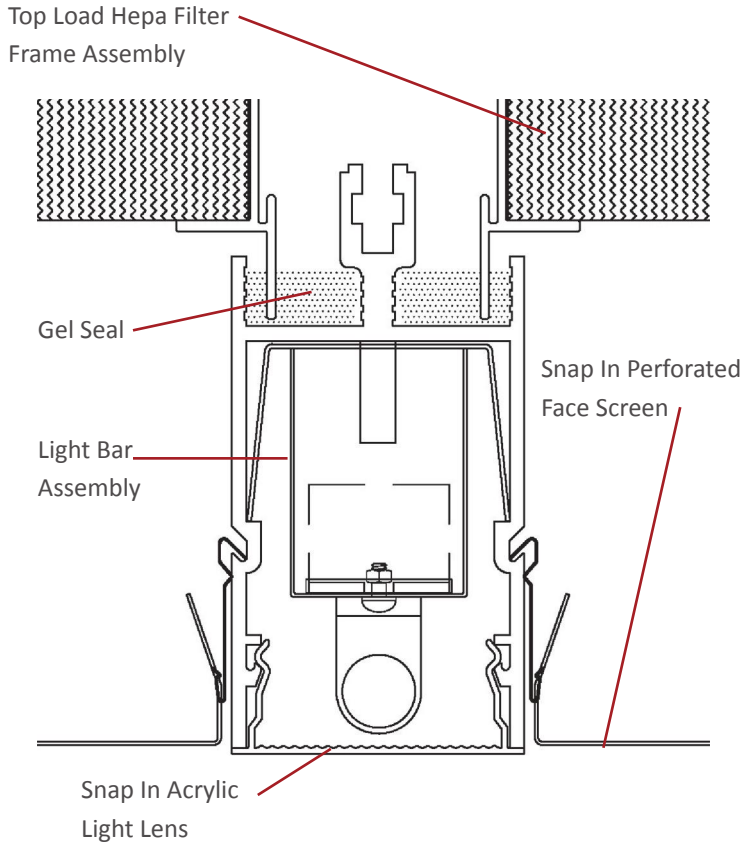
Available as top load, bottom load, stainless steel or aluminum.



- **TOP LOAD FLUSH HEPA CEILING GRID**
- **BOTTOM LOAD FLUSH HEPA CEILING GRID**
- **304 & 316 BOTTOM LOAD FLUSH HEPA CEILING GRID**

Flush HEPA Grid with Integral Lighting

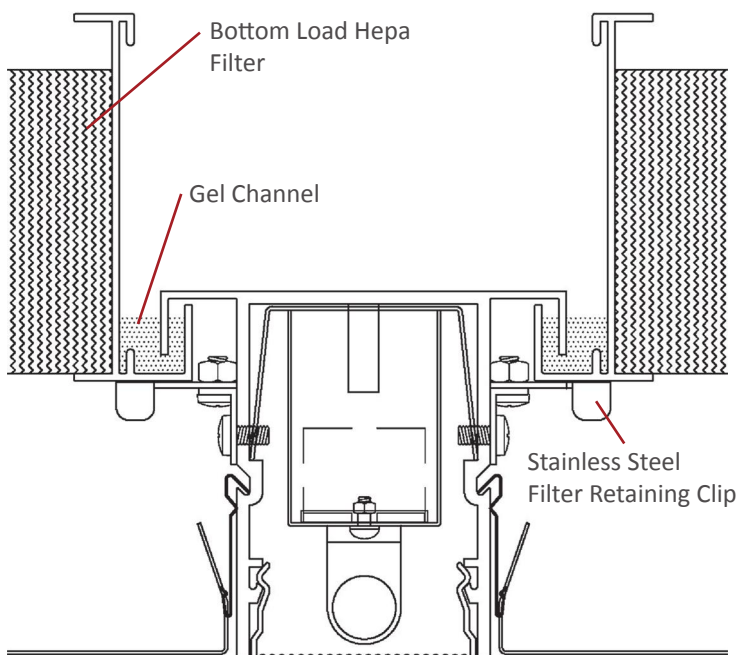
INNOVATE.DESIGN.MANUFACTURE



Section View at Interior Grid with Light Bar Assembly

EXTRUDED ALUMINUM TOP LOAD FLUSH CEILING GRID SYSTEM

- 2-1/2" Flush Hepa Grid System with Integral Light Assembly
- Top Load with Gel in Grid Frame Integral Sprinkler Connections
- Bottom Snap in Flush Face Screen that Aerodynamically Evens the Airflow Under the Grid
- Grid is a proven product with over 1 million Sq. Ft. installed
- Head Track Connections Available



Section View at Interior Grid with Light Bar Assembly

EXTRUDED ALUMINUM BOTTOM LOAD FLUSH CEILING GRID SYSTEM

- 2 1/2" Flush Bottom Load Grid System With Integral Light Assembly
- Welded Grid Modules Manufactured In Sizes Up to 8' x 24'
- Pre-punched Bolt Holes for Grid to Grid Attachment

BASX
SOLUTIONS

Flush HEPA Grid with Integral Lighting

INNOVATE.DESIGN.MANUFACTURE

LED LIGHTS

- INTEGRAL TO FLUSH GRID
- ENERGY EFFICIENT
- NO DEADSPOTS –CONTINUOUS LIGHT
- LIGHTS AND DRIVERS HAVE A LONGER LIFE
- LIGHT LEVEL EQUIVALENT TO T-5
- NO FLUORESCENT LIGHT TUBES – NO BREAKAGE



T-5 LIGHTS

- INTEGRAL TO FLUSH GRID
- INDIVIDUAL FLUORESCENT TUBES HAVE DARK AREAS BETWEEN LIGHT TUBES
- FLUORESCENT TUBES CAN BREAK IN CHANGEOUT
- RELAMPING REQUIRED FREQUENTLY



LED PRODUCT INFORMATION

- LED LIGHTS AND DRIVER HAVE A PARTS ONLY 5 YEAR WARRANTY
- ETL LISTED LIGHT BAR ASSEMBLY
- LIGHT BAR WITH LED LIGHTS EASILY REPLACED
- TEMPERATURE COLOR (CCT OF THE COLOR OF LIGHTS)
 - A. LED LIGHTS COME IN 2700, 3000, 3500, 4000, AND 5000 KELVIN (K)
 - B. BASX LED LIGHTS UTILIZE 3500 KELVIN LIGHTS. THIS MATCHES THE COLOR OF T-8 AND T-5 LAMPS
- VOLTAGE - 120V OR 277V IS ACCEPTABLE TO THE LED DRIVER. THE LIGHT BAR ITSELF OPERATES AT 36 VOLTS
- EMI - LOW VOLTAGE CONSTANT CURRENT DESIGN ELIMINATES EMI

BasX Solutions products are manufactured in the United States and carry full parts and labor warranties. Extended warranties and/or maintenance programs are available. Contact BasX Solutions today to find out how we can assist you.

BASX SOLUTIONS | 3500 SW 21st PLACE | REDMOND, OREGON 97756 | P. 541.647.6650 | WWW.BASXSOLUTIONS.COM

© Copyright 2016

Form No. BasX Cleanroom 2016